



# Handrail Brackets

Mild Steel  
Galvanised  
Stainless Steel



**Lockinex**<sup>®</sup>  
*great service, great quality*

## INTRODUCTION

Lockinex Hand Rail brackets are used throughout the UK. They comply with Building Regulations as well as providing a reliable robust support for handrails. Mainly combined with steel tubing an effective and safe Hand Rail can be easily constructed.

## APPLICATION

The range includes brackets for Industrial & Heavy duty use, as well as interior applications & domestic.

## DESIGN

A range of designs are shown which comply with current UK Building regulations.

## COMPOSITION, MANUFACTURE

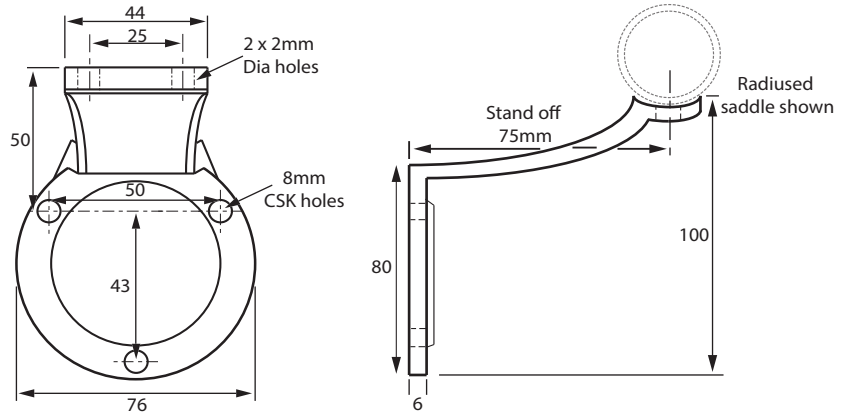
Manufactured from Mild Steel, Cast Steel & Stainless Steel.

Mild steel items are available with a self colour finish, ready for welding or a galvanised finish.

Stainless steel items have a satin finish applied to the surface.

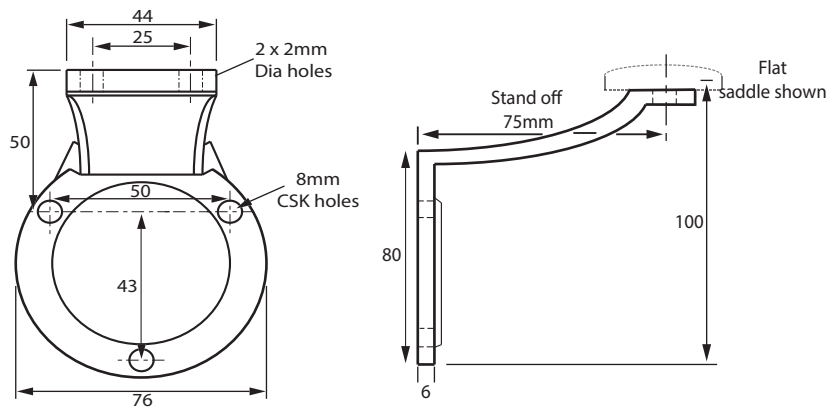


**HB3RS-Radiused Saddle-Self Colour**



Pressed steel, self colour and radiused saddle to accept tubular handrail with 3 counter sunk fixing holes.

**HB3FS-Flat Saddle-Self Colour**



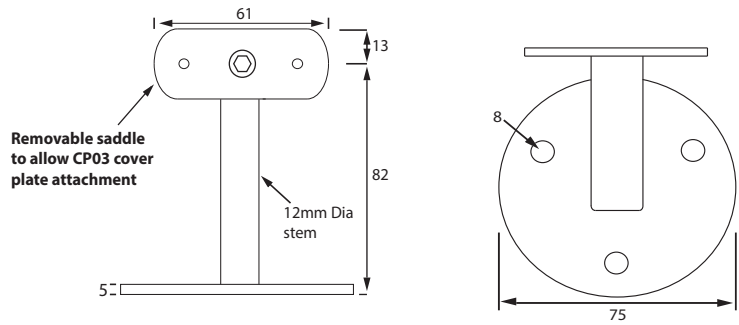
Pressed steel, self colour and flat saddle to accept wooden or steel handrail with 3 counter sunk fixing holes.

**CP02-Self Colour**



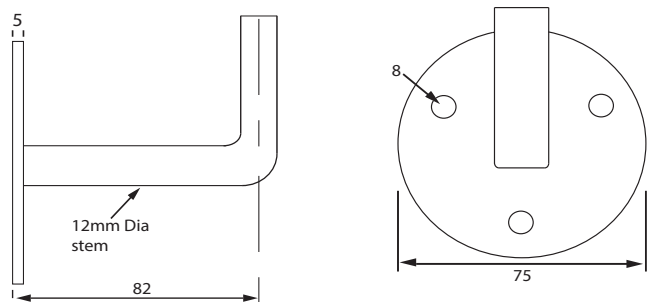
This cover plate is suitable only for the HB1RS, HB3RS and HB3FS type handrail brackets.

**DDA-03-Galvanised**



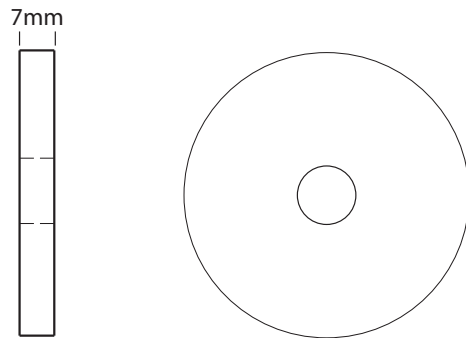
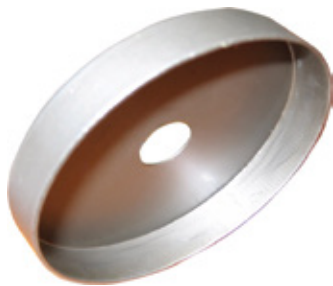
Wall mounted handrail support bracket-Galvanised.

**HB-5-Self Colour**



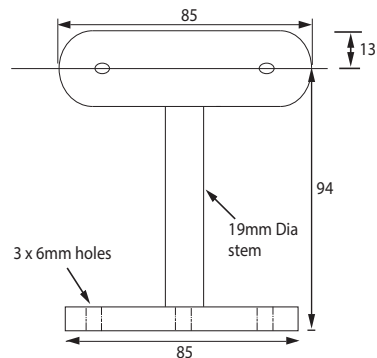
Same as the DDA-03 but without the saddle. This product is self colour and ready for welding.

**CP03-Self Colour**



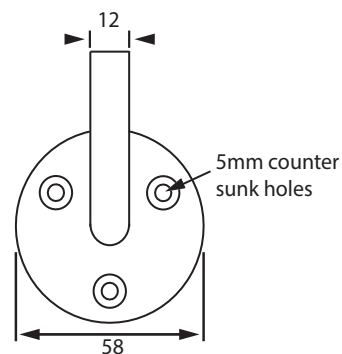
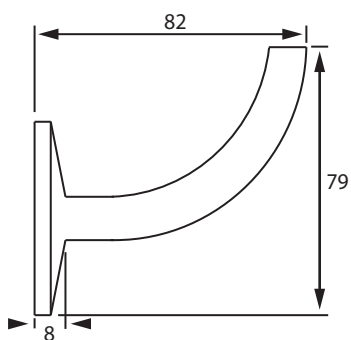
This Self Colour cover plate is suitable only for the HB-5 and DDA-03 type handrail brackets.

**HB-11- Galvanised**



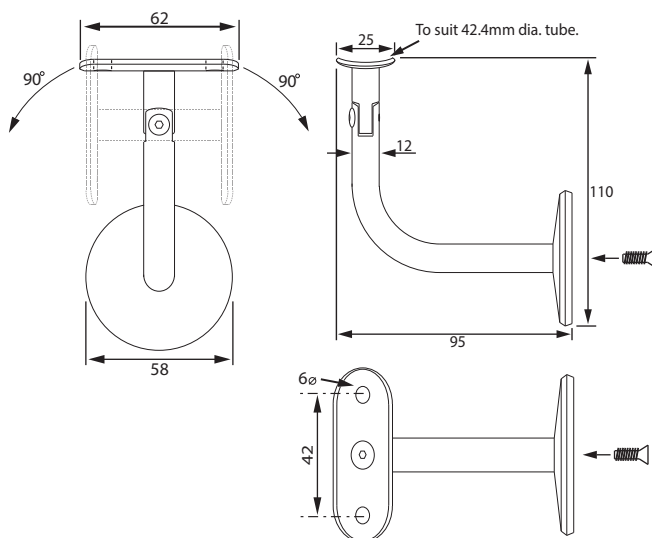
Heavy Duty One piece Casting. 19mm Support Arm. 86mm dia. x 9mm Back plate.

**Inox-509-42.4-SF (To suit 42.4mm x 2mm tube)**



Stainless Steel Satin Finish-304 wall mounted handrail support bracket. Ready for welding to handrail tube.

**Inox-503-42.4-SF (To suit 42.4mm x 2mm tube)**



Stainless Steel Satin Finish adjustable handrail support bracket. Fixed from behind the supporting structure. 1 x M8 x 15mm bolt is supplied for this purpose. The maximum material thickness using this standard bolt is 8mm. (The user must supply longer bolts if required)