

## Steel Sections Galvanised & Self colour

Solid Round Bar

Flat Bar

Square Section

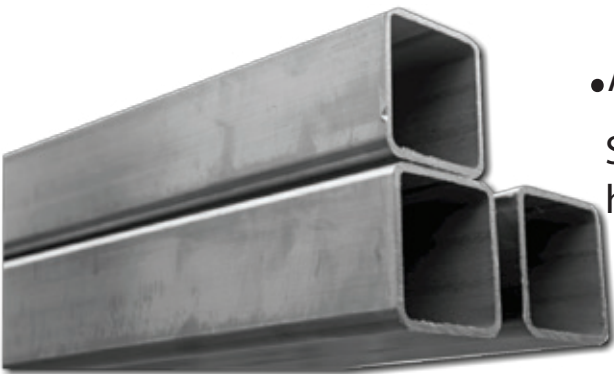
Rectangular Section

Tube



• Available from stock.

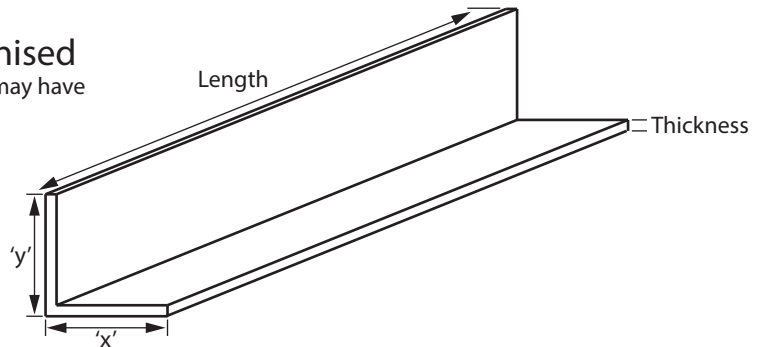
Supplied in easily  
handled lengths.





## Angle iron Self Colour & Galvanised

Note- Some self colour items may have a light oil coating.

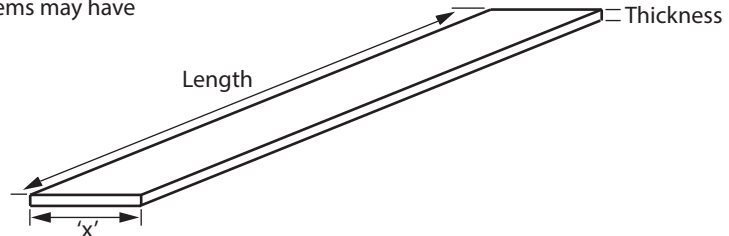


| <i>Product code<br/>Galvanised</i> | <b>Product code<br/>Self Colour</b> | Dimension 'x' (mm) | Dimension 'y' (mm) | Thickness (mm) | Length (m)       | Weight (Kg)<br>3mtr / 6mtr |
|------------------------------------|-------------------------------------|--------------------|--------------------|----------------|------------------|----------------------------|
| <i>GAI25253</i>                    | <b>Ai25253</b>                      | 25                 | 25                 | 3              | 3 & 6mtr Nominal | 5.31 / 10.62               |
| <i>GAI40403</i>                    | <b>Ai40403</b>                      | 40                 | 40                 | 3              | 3 & 6mtr Nominal | 8.91 / 17.82               |
| <i>GAI50503</i>                    | <b>Ai50503</b>                      | 50                 | 50                 | 3              | 3 & 6mtr Nominal | 7.0 / 14.00                |
| <i>GAI75756</i>                    | <b>Ai75756</b>                      | 75                 | 75                 | 6              | 3 & 6mtr Nominal | 16.95 / 33.90              |
| <i>GAI1001008</i>                  | <b>Ai1001008</b>                    | 100                | 100                | 8              | 3 & 6mtr Nominal | 36.60 / 73.20              |



## Flat bar Self Colour & Galvanised

Note- Some self colour items may have a light oil coating.

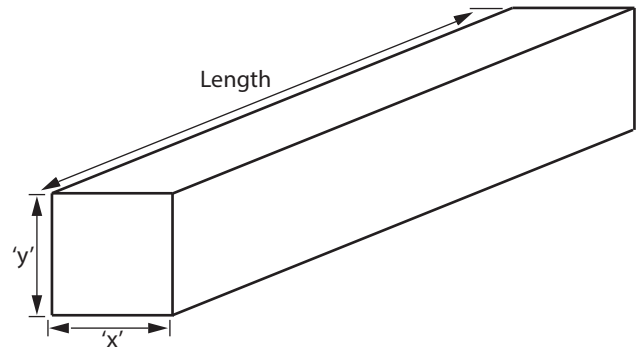


| <i>Product code<br/>Galvanised</i> | <b>Product code<br/>Self Colour</b> | Dimension 'x' (mm) | Thickness (mm) | Length (mtr)     | Weight (Kg)<br>3mtr / 6mtr |
|------------------------------------|-------------------------------------|--------------------|----------------|------------------|----------------------------|
| <i>GFB508</i>                      | <b>FB508</b>                        | 50                 | 8              | 3 & 6mtr Nominal | 9.45 / 18.90               |
| <i>GFB6510</i>                     | <b>FB6510</b>                       | 65                 | 10             | 3 & 6mtr Nominal | 15.30 / 30.60              |
| <i>GFB1008</i>                     | <b>FB1008</b>                       | 100                | 8              | 3 & 6mtr Nominal | 14.13 / 28.26              |
| <i>GFB15010</i>                    | <b>FB15010</b>                      | 150                | 10             | 3 & 6mtr Nominal | 35.40 / 70.80              |



## Square bar -Solid Self Colour & Galvanised

Note- Some self colour items may have a light oil coating.



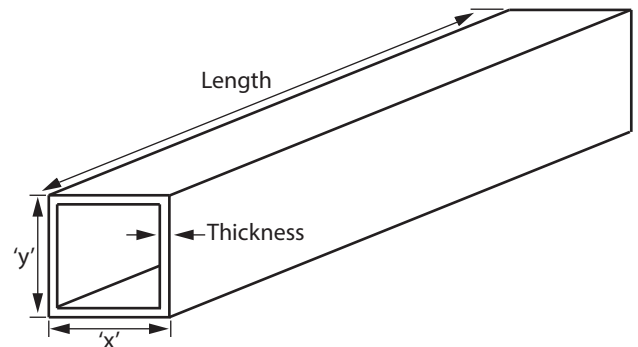
| Product code<br>Galvanised | Product code<br>Self Colour | Dimension 'x' (mm) | Dimension 'y' (mm) | Length (mtr)      | Weight (Kg)<br>3mtr / 6mtr |
|----------------------------|-----------------------------|--------------------|--------------------|-------------------|----------------------------|
| GSB2020                    | <b>SB2020</b>               | 20                 | 20                 | 3 & 6 mtr Nominal | 9.42 / 18.84               |
| GSB4040                    | <b>SB4040</b>               | 40                 | 40                 | 3 & 6 mtr Nominal | 37.68 / 75.36              |
| *GSB5050                   | <b>SB5050</b>               | 50                 | 50                 | 3 & 6 mtr Nominal | 58.89 / 117.78             |

\*6mtr NOT available galvanised.



## Square and rectangular hollow sections Self Colour & Galvanised

Note- Some self colour items may have a light oil coating.

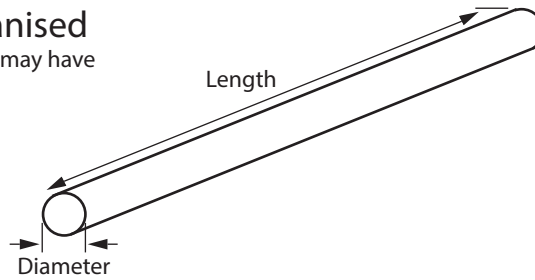


| Product code<br>Galvanised | Product code<br>Self Colour | Dimension 'x' (mm) | Dimension 'y' (mm) | Thickness (mm) | Length (mtr)     | Weight (Kg) |
|----------------------------|-----------------------------|--------------------|--------------------|----------------|------------------|-------------|
| GSHS25253-3.75             | <b>SHS25253-3.75</b>        | 25                 | 25                 | 3              | 3.75/3.8 Nominal | 7.75        |
| GSHS30303-3.75             | <b>SHS30303-3.75</b>        | 30                 | 30                 | 3              | 3.75/3.8 Nominal | 9.54        |
| GSHS40403-3.75             | <b>SHS40403-3.75</b>        | 40                 | 40                 | 3              | 3.75/3.8 Nominal | 13.11       |
| GSHS50503-3.75             | <b>SHS50503-3.75</b>        | 50                 | 50                 | 3              | 3.75/3.8 Nominal | 16.68       |
| GSHS70703-3.75             | <b>SHS70703-3.75</b>        | 70                 | 70                 | 3              | 3.75/3.8 Nominal | 23.86       |
| GSHS90903-3.75             | <b>SHS90903-3.75</b>        | 90                 | 90                 | 3              | 3.75/3.8 Nominal | 30.78       |
| GRHS100503-3.75            | <b>RHS100503-3.75</b>       | 100                | 50                 | 3              | 3.75/3.8 Nominal | 25.65       |
| GSHS1001004-3.75           | <b>SHS1001004-3.75</b>      | 100                | 100                | 4              | 3.75/3.8 Nominal | 45.60       |
| GSHS1201205-3.75           | <b>SHS1201205-3.75</b>      | 120                | 120                | 5              | 3.75/3.8 Nominal | 68.40       |



## Round bar-Solid Self Colour & Galvanised

Note- Some self colour items may have a light oil coating.

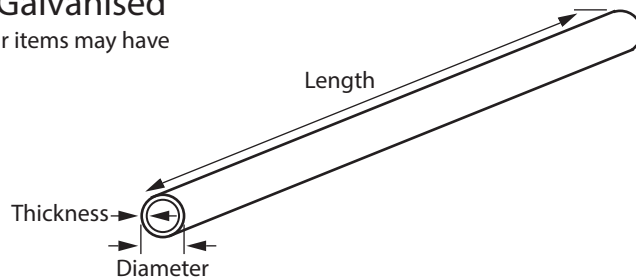


| Product code<br>Galvanised | Product code<br>Self Colour | Diameter (mm) | Length    | Weight (Kg)<br>3mtr / 6mtr |
|----------------------------|-----------------------------|---------------|-----------|----------------------------|
| GSRB10                     | SRB10                       | 10            | 3 & 6 mtr | 1.86 / 3.72                |
| GSRB20                     | SRB20                       | 20            | 3 & 6 mtr | 7.41 / 14.82               |
| GSRB30                     | SRB30                       | 30            | 3 & 6 mtr | 16.65 / 33.30              |



## Tube Self-colour & Galvanised

Note- Some self colour items may have a light oil coating.



| Product code<br>Self Colour | Diameter (mm) | Thickness (mm) | Length (m)       | Weight (Kg) |
|-----------------------------|---------------|----------------|------------------|-------------|
| CHS337.3-3.75               | 33.7          | 3              | 3.75/3.8 Nominal | 9.16        |
| CHS424.3-3.75               | 42.4          | 3              | 3.75/3.8 Nominal | 11.74       |
| CHS483.3-3.75               | 48.3          | 3              | 3.75/3.8 Nominal | 13.58       |
| CHS603.3-3.75               | 60.3          | 3              | 3.75/3.8 Nominal | 17.14       |
| CHS761.3-3.75               | 76.1          | 3              | 3.75/3.8 Nominal | 21.85       |
| CHS889.3-3.75               | 88.9          | 3              | 3.75/3.8 Nominal | 25.69       |

| Product code<br>Galvanised | Diameter (mm) | Thickness (mm) | Length (m)      | Weight (Kg) |
|----------------------------|---------------|----------------|-----------------|-------------|
| T5-3.2mtr-Galv             | 26.9          | 3              | 3.20 Nominal    | 5.2         |
| T5-6.4mtr-Galv             | 26.9          | 3              | 6.0/6.4 Nominal | 10.40       |
| T6-3.2mtr-Galv             | 33.7          | 3              | 3.20 Nominal    | 7.50        |
| T6-6.4mtr-Galv             | 33.7          | 3              | 6.0/6.4 Nominal | 15.00       |
| T7-3.2mtr-Galv             | 42.4          | 3              | 3.20 Nominal    | 10.50       |
| T7-6.4mtr-Galv             | 42.4          | 3              | 6.0/6.4 Nominal | 21.00       |
| T8-3.2mtr-Galv             | 48.3          | 3              | 3.20 Nominal    | 12.00       |
| T8-6.4mtr-Galv             | 48.3          | 3              | 6.0/6.4 Nominal | 24.00       |
| T9-3.2mtr-Galv             | 60.3          | 3              | 3.20 Nominal    | 16.50       |
| T9-6.4mtr-Galv             | 60.3          | 3              | 6.0/6.4 Nominal | 33.00       |